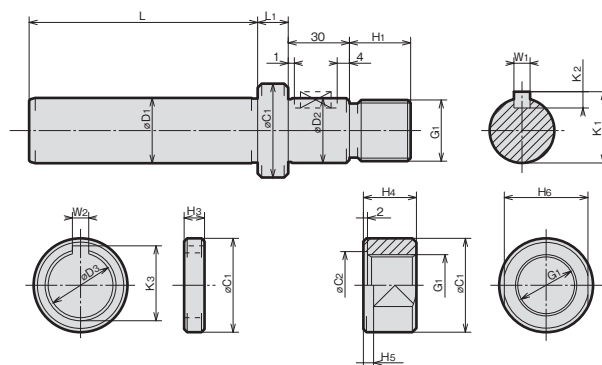


サイドカッタアーバ

SIDE CUTTER ARBOR

ST^{Ⓓ1}-SCA^{Ⓓ2}-L1



| MODEL | CODE | φD1 | φD2(h6) | L1 | | φC1 | G1×P | H1 | L | W1 | K1 | K2 | φC3 | H3 | W2 | K3 | φC2 | H4 | H5 | H6 | N/W (kg) | |
|-------|----------------|-------|---------|---------------|--------|-----|-------|---------|------|-----|-------|-------|-------|--------|----|------|------|----|----|----|----------|-----|
| | | | | STAN- DARD | OPTION | | | | | | | | | | | | | | | | | |
| ST32 | -SCA15.875-015 | 30422 | 15.875 | 15 | 30 | 60 | 26 | M14×1.5 | 16 | 112 | 3.18 | 17.42 | 3.18 | 15.875 | 5 | 3.18 | 17.7 | 17 | 13 | 3 | 22 | 1.0 |
| | -SCA22.225-015 | 30426 | 22.225 | | | | 34 | M20×1.5 | 21 | | 3.18 | 23.82 | 3.18 | 22.225 | | 3.18 | 24.1 | 23 | 18 | 4 | 30 | 1.2 |
| | -SCA25.4 -015 | 30430 | 25.4 | | | | 40 | M24×2 | 25 | | 6.35 | 27.78 | 6.35 | 25.4 | | 6.35 | 28.1 | 28 | 21 | 4 | 32 | 1.4 |
| | -SCA31.75 -015 | 30434 | 31.75 | | | | 46 | M30×2 | 30 | | 7.92 | 34.92 | 7.92 | 31.75 | | 7.92 | 35.2 | 33 | 26 | 5 | 41 | 1.7 |
| ST42 | -SCA25.4 -015 | 30438 | 25.4 | 15 | 30 | 60 | 40 | M24×2 | 25 | 117 | 6.35 | 27.78 | 6.35 | 25.4 | 20 | 6.35 | 28.1 | 28 | 21 | 4 | 32 | 2.0 |
| | -SCA31.75 -015 | 30442 | 46 | | | | M30×2 | 30 | 7.93 | | 34.92 | 7.92 | 31.75 | 7.92 | | 35.2 | 33 | 26 | 5 | 41 | 2.3 | |
| | -SCA38.1 -015 | 30446 | 55 | | | | M36×3 | 36 | 9.52 | | 42.06 | 9.52 | 38.1 | 9.52 | | 42.3 | 41 | 31 | 5 | 46 | 2.7 | |

ご注文例 ORDERING EXAMPLE

① **ST32** - ② **SCA** ③ **25.4** - ④ **015**

① シャンクサイズ φD1 Shank Size φD1

② 呼称 Name

③ インロー径 φD2 φD2

④ L1 L1